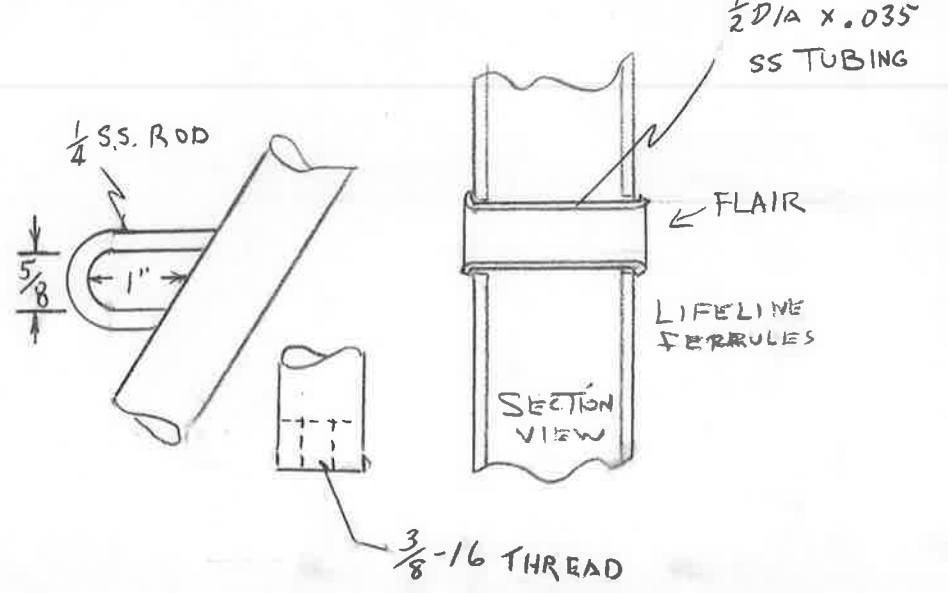
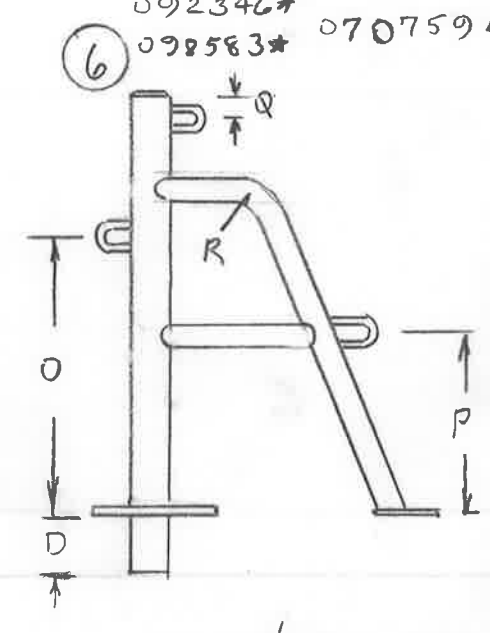
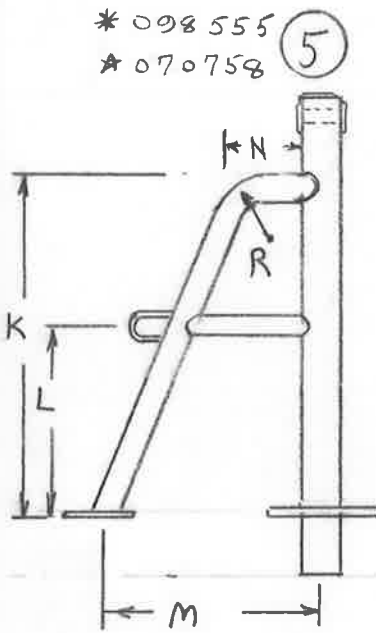


* 098555
* 070758

092346*
098583* 070759▲



ITEM	MODEL	A	B	C	D	E	F	G	H	I	J	K	L	M	N	O	P	Q	R	*	▲	▲	QUANTITY PER BOAT
①	I 32	26	3/8	12	4 3/4	5 1/2	2 1/4	3 1/2												4			
	I 35	26	3/8	12	4 3/4	5 1/2	2 1/4	3 1/2												4			
	I 38	26	3/8	12	4 3/4	5 1/2	2 1/4	3 1/2												6			
②	I 35	26	3/8		4 3/4	5 1/2	2 1/4	3 1/2	4 1/4	3 1/2	11 1/2	13 1/2	1/2							3	2	2	1
	I 38	26	3/8		4 3/4	5 1/2	2 1/4	3 1/2	4 1/4	3 1/2	11 1/2	13 1/2	1/2							3	2	2	1
	I 32	26	3/8		4 3/4		2 1/4	3 1/2	4 1/4	3 1/2	11 1/2	13 1/2	1/2							3	2	2	1
④	I 38	26	3/8	12	3 1/2	2	2	2		6										6			
	I 43	26	3/8	12	3 1/2	2	2	2		6										6			
	I 44	26	3/8	12	2 1/2	4	2	2		8										8			
	I 52	26	3/8	12	3 1/2	6	2	2		10										10			
	I 65	28 1/2	5/8	13 1/8	3 1/2	6	2	2		12										14			
⑤	I 38	26	3/8		3 1/2					2		20 1/2	13 1/2	12	4					3	2		
	I 43	26	3/8		3 1/2					2		20 1/2	13 1/2	12	4					3	2		
	I 44	26	3/8		2 1/2					4		20 1/2	13 1/2	12	4					3	4		
	I 52	26	3/8		3 1/2					2		20 1/2	13 1/2	12	4					3	2		
	I 65	28 1/2	5/8		3 1/2					2		14 1/4								3	2		
⑥	I 38	26			3 1/2					2				12	4	19	13 1/2	5/8		3	2		
	I 43	26			3 1/2					2				12	4	19	13 1/2	5/8		3	2		
	I 52	26			3 1/2					2		20 1/2		12	4	17 1/4	13 1/2	5/8		3	2		
	I 65	28 1/2			3 1/2					2							14 1/4	5/8		3		2	
																							2

NOTE: ALL VERTICAL STANCHION MATERIAL: 1" O.D. X .065 WALL S.S. TUBE (304) EXCEPT I-65 WHICH IS 1 1/8" O.D. X .065 WALL S.S. TUBE (304)

QTY.	PART. NO.	ITEM DESCRIPTION

LETTER	DATE	CHANGE DESCRIPTION
	1/8/87	- Some I-65 Dim. STILL TO BE ADDED @P



DRAWN BY R. DUNCAN DATE 1-7-86
 SCALE N.T.S. PART NO.
 DRAWING NAME LIFELINE STANCHIONS
 DRAWING NUMBER STD-173